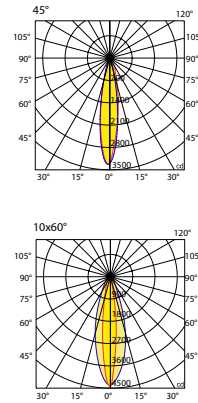




OLD-OX10



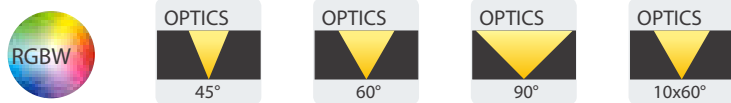
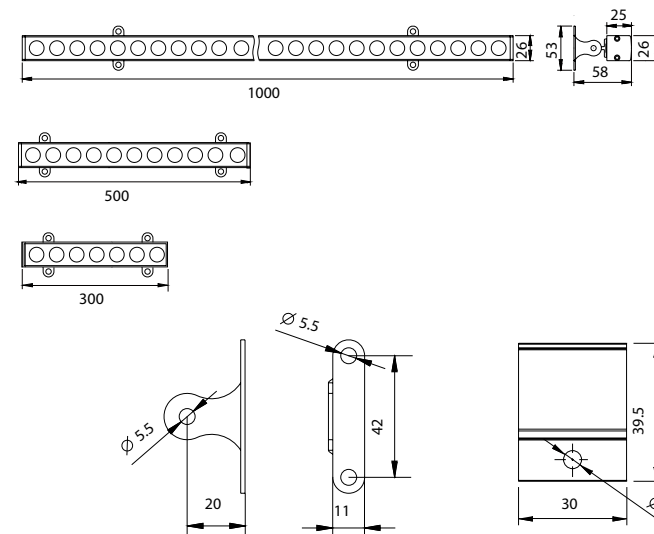
Photometric data:



ORION INTERNATIONAL Features

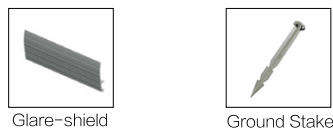
- It's suitable for building facades, bridges, parks, squares, etc.
- Exquisite anti-UV surface coating for outdoor environment
- High thermal conductivity Aluminum-6063-T5 lamp body ensures heat dissipation and extends product's life
- Waterproofing treatment by glue filling for lamp body
- Anti-glare light diffuser made by PC material
- The length and power can be customized according to customer's needs

ORION INTERNATIONAL Product Size



ORION INTERNATIONAL Performance parameter	
LED Light Source: Cree, Lumileds, Osram, Epistar	Effects: single color, full color, gradient, chasing, flowing
Color Temperature: Single color, RGB, RGBW, RGBA, RGB+W	Protection Grade: IP65
LED CRI: $\geq 80$ R9>0	Electrical Safety Grade: Class III
Lifespan: $\geq 50000$ h	Voltage: DC24V
Beam Angle: 30° 45° 60° 90° 120° 10x60°	Current: constant current drive
Rotation Angle: 210°	Working Temperature: -35°C ~ +45°C
Control Mode: ON/OFF、DMX512	Mounting Bracket: customizable

ORION INTERNATIONAL Optional accessories



ORION INTERNATIONAL Product number

Model	Power	Input Voltage	LED Quantity	Single LED Power	Color
OLD-OX10-D	10~15W	DC24V	30/48/60	0.25W	single color
OLD-OX10-R	10~15W	DC24V	30/48/60	0.25W	full color